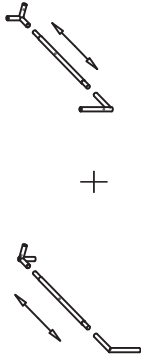
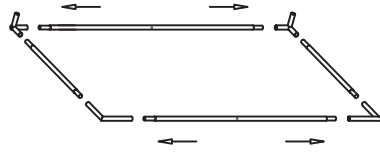


CHANGE ROOM - INDOORS - ASSEMBLY

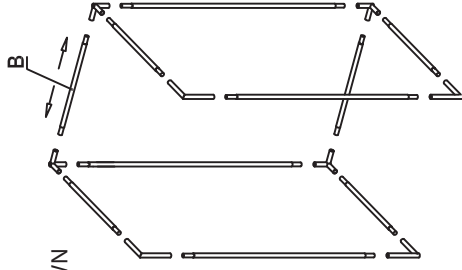
STEP 1
LAYOUT PARTS & MATCH PARTS
WITH COLOURED STICKERS



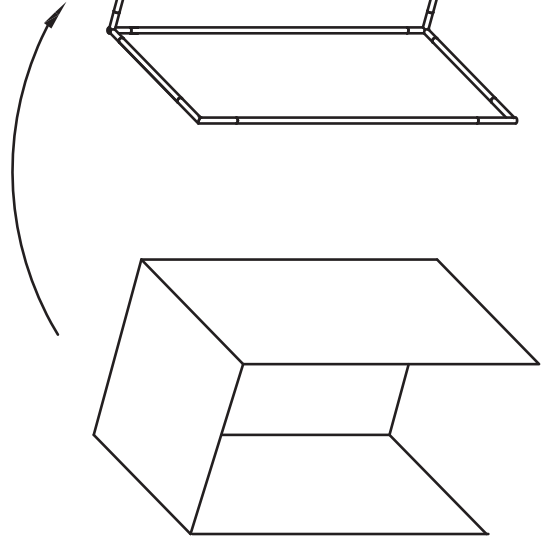
STEP 2
ASSEMBLE IN FULL
LEFT SIDE & RIGHT SIDE



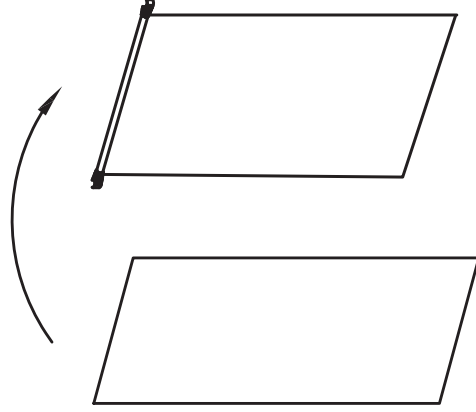
STEP 3
ASSEMBLE IN FULL
TOP & BASE RAIL AS SHOWN



STEP 4
LAY FRAME ON IT'S BACK & SLIDE ON
GRAPHIC FROM THE TOP DOWN



STEP 5
SLIDE CURTAIN PRINT ONTO CURTAIN RAIL



STEP 6
USING TOOL SUPPLIED
TIGHTEN CURTAIN RAIL IN POSITION

